

RLIDE



Disteo 23

More than a theodolite.

Distance is never a gap to the target!

Integrated EDM on Disteo 23 delivers an accurate and fast distance measuring performance. 300m distance with prism can be easily achieved with a high precision of 3mm+2ppm. No more stadia measurement or measuring tape. With Disteo 23, just AIM and MEASURE!

INNOVAITON



300m distance measuring with prism, with 3mm+2ppm distance accuracy. No need of measuring tape or stadia measurement for distance.



Ergonomic full numeric keypad with shortcut keys. No need to note down any combination key or hidden menu to set the instrument. All settings can be found and configured via shortcut key or onboard software.

FEATURES



Fast and easy polar coordinate staking out points in field with the distance measuring function.



Manually input the temperature and pressure and correct the measured distance in real time.

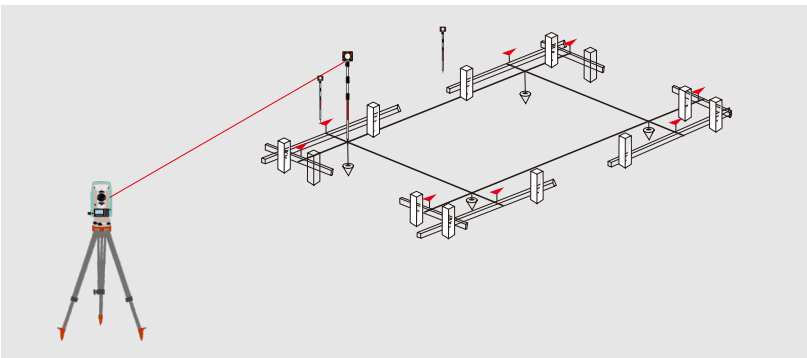


Integrated laser plummet for easy setup.



Coaxial visible laser beam for fast aiming.

APPLICATION



During the advance works of construction, staking out the control points is crucial and essential. The accuracy of these control points directly affects the main structure, and therefore the whole process of the construction, such as the concrete deposit, earth fill or excavation.

Axis staking out on Disteo 23 is a unique program that helps to stake out these control points in an easier way. After inputting the offset value from these control points to the known building axis, the program will calculate and indicate you to find the points in field.

SPECIFICATION

DISTANCE MEASURE

| | |
|----------------|-------------------------------|
| Range | 300m |
| Accuracy | ±(3mm+2ppm*D) |
| Measure Time | Continuous: 0.35s, Fine: 1.5s |
| PPM Correction | Manual input, auto correct. |
| Prism Constant | Manual input, auto correct. |

ANGLE MEASURE

| | |
|------------------|----------------------------------|
| Type | Absolute Encoding |
| Min. Reading | 1" |
| Accuracy | 2" |
| Detection Method | Horizontal: Dual; Vertical: Dual |

TELESCOPE

| | |
|--------------------|----------|
| Image | Erect |
| Magnification | 30x |
| Effective Aperture | 40mm |
| Resolving Power | 3" |
| Field of View | 1°30' |
| Min. Focus | 1.5m |
| Stadia Accuracy | ≤0.40%/L |
| Tube Length | 155mm |

COMPENSATOR

| | |
|---------------|-------------|
| Type | Single Axis |
| Working Range | 3' |
| Accuracy | 3" |

LEVEL

| | |
|---------------|---------|
| Plate Vial | 30"/2mm |
| Circular Vial | 8'/2mm |

LASER TUBE

| | |
|---------------|-----------|
| Wave Length | 635±20nm |
| Laser Class | Class II |
| Spot Diameter | ≤5mm/100m |
| Axis Error | ≤10" |

LASER PLUMMET

| | |
|---------------|----------|
| Accuracy | ±1.5mm |
| Spot Diameter | ±2.5mm |
| Length | 635±20mm |
| Laser Class | Class II |

DISPLAY UNIT

| | |
|--------------|------------------------|
| Size | 2.7 inches, 160x96 dot |
| No. of Lines | 4 lines |

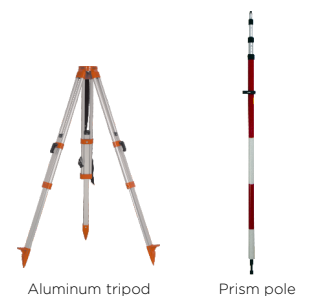
POWER SUPPLY

| | |
|-------------|----------------------------------|
| Battery | Li-ion Rechargeable / AA Battery |
| Voltage | 7.4V |
| Working Hrs | 8 hrs |

PHYSICAL

| | |
|---------------|---------------|
| Working Range | -20°C - +50°C |
| Size | 165*160*340mm |
| Weight | 4.7kg |

Recommend Accessories



Aluminum tripod

Prism pole



Prism set



7F, Sicheng Road, Guangzhou 510663, China
 +86-20-23380961
<http://www.ruide.xyz>
support@ruideinstrument.com

f ruideinstrument

▶ RUIDEPositioning